

## Elmir 3 Seater Chaise

⚠ The components are heavy, assembly should be performed by two people.

If you have any difficulty with assembly or operation, please contact the store of purchase in the first instance.

Please read the below safety & electrical instructions before operating

### Safety Instructions

- This product is not intended for use by persons (including children) with reduced physical, sensory or mental capabilities, or lack of experience and knowledge, unless they have been given supervision or instruction concerning use of the product by a person responsible for their safety.
- Ensure there is no person, animal or item obstructing the area under the footrest before operating this product.
- Improper use or installation may result in the risk of fire, electric shock and/or injury. We assume no liability for any eventual damages caused by improper use or inappropriate handling, or by any other non-compliance with the instructions in this manual.
- Children should be supervised to ensure that they do not play with the product.
- This product contains moving parts. Keep fingers, hair and body parts well clear from moving parts. To reduce the risk of injury, keep children and pets clear of the product when in use.

### Electrical Instructions

- Never force the back or footrest to close faster than the electric motor.
- Before commencing cleaning or maintenance, ensure this product is disconnected from the power outlet and the back is in the full upright position.
- Disconnect this product from the power outlet before moving.
- Cease operation and disconnect from the power outlet if you ever detect a burning odour or smoke coming from the product.
- Do not operate this product if liquid spillage occurs on or around it. Disconnect from the power outlet and allow product to completely dry before reconnecting.
- Do not operate the power functions or charge station with wet hands.
- Check the condition of the power cord, electrical cords, transformer, plug and connector on a monthly basis. Do not operate if wear is visible on any components.
- Ensure the power cord, electrical cords and transformer are clear of moving parts and not trapped underneath the base.

- Do not sit or place additional weight on the arms, back or open footrest.
- This product is very heavy. Only move this product by lifting the main body. Never drag by the footrest, back or arm rest.
- Return this product to the full upright position to stand safely and prevent a tripping hazard.
- Do not operate this product if damage is visible in any form.
- Do not modify or use unauthorised substitute parts.
- This product has been designed and intended for indoor residential use only. It is not suitable for commercial or outdoor use.
- This product is not intended to be used as part of a health care plan. Consult your medical professional before operating if you are taking medication or have physical limitations.

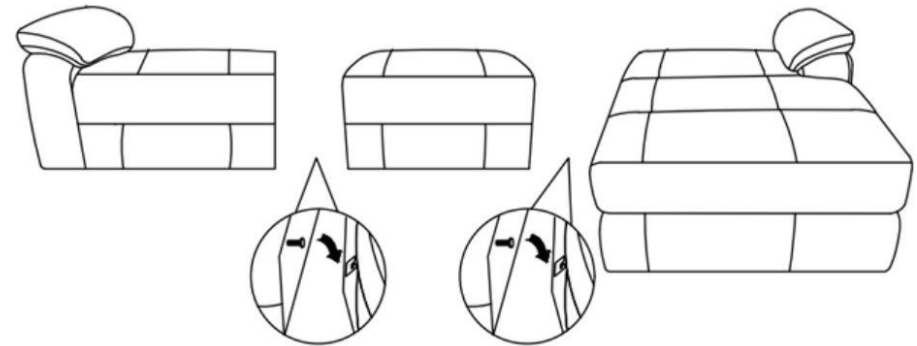
- Position the power cord to minimise a tripping hazard.
- Never attempt to open or disassemble electrical components.
- We recommend the use of a surge protector (not included).
- Connect power supplies directly to a wall outlet wherever possible. If a powerboard is required, check its maximum power load and don't exceed. Never "daisy-chain" more than one powerboard together.
- Make sure all plugs are connected before plugging the power supply into a power outlet.
- The USB ports (where applicable) are designed with working voltage of 5V, and can not be used to supply power for laptop computers (neither PC or Mac). Plugging a laptop computer into the USB port may end up damaging either the computer or the USB port due to unmatched working voltage.

Synargy is a registered responsible supplier on EESS. Electrical components within our products have been tested to comply with legal requirements imposed for electrical safety and EMC.

For product care, information and warranty details please visit [www.synargy.com](http://www.synargy.com)

### Step 1

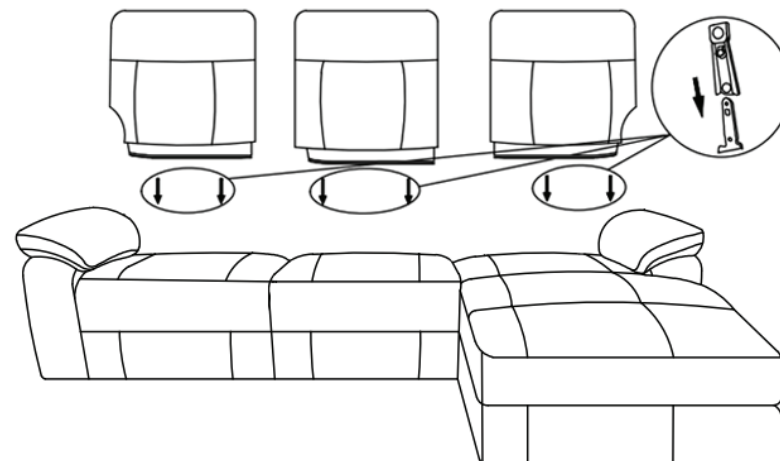
Remove packaging and set aside. Use two people to safely handle all large pieces. Fix the seat sections together using the locking tabs between them.



### Step 2

Identify the seat backs that correspond with each seat base and attach them using the metal posts down the sides. Once aligned, press both sides of the seat backs downward until a click is heard.

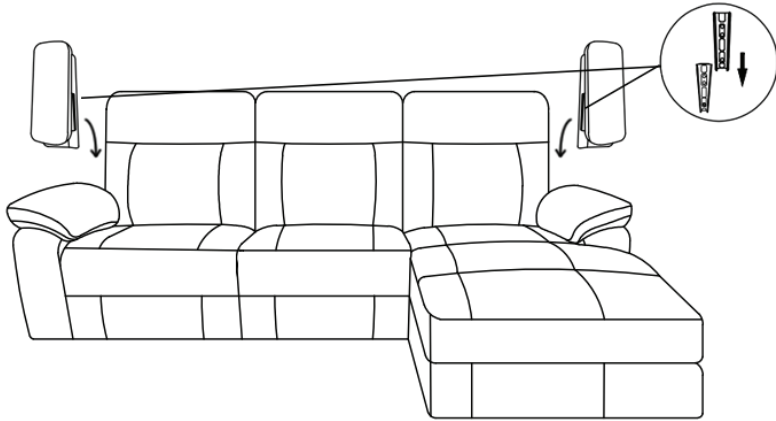
It is recommended to view our video on attaching seat backs before beginning.



Scan QR code for a video of this step

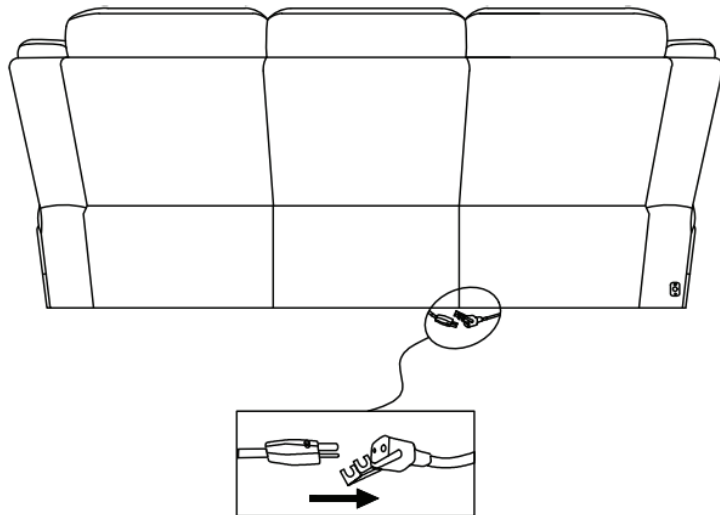
**Step 3**

Attach the backrest wings by fixing to the brackets and gently pressing down until they sit neatly in place.



**Step 4**

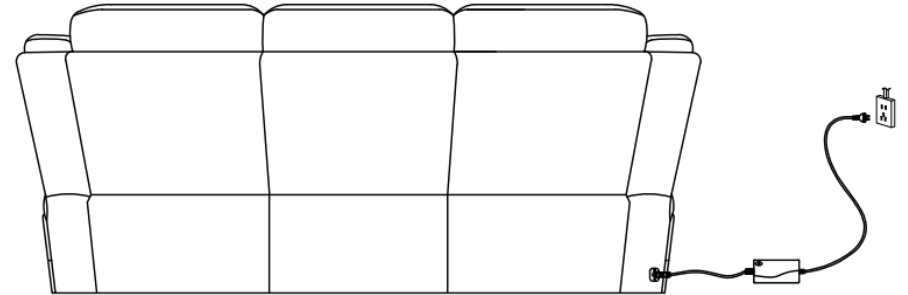
Connect the electric cables between the end seat and middle seat, and fasten the fabric cover down to keep them neatly out of the way



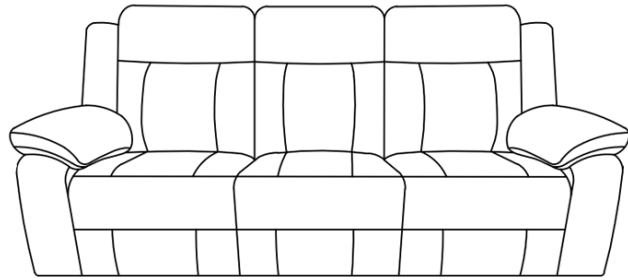
**Step 5**

Plug the power supply into the outlet located at the bottom of the seat base, and plug into a wall outlet. Your lounge assembly is now complete.

Please ensure you have read the safety and electrical instructions before operating.



- ① Make sure all plugs are connected on the product before plugging the power cords into a wall outlet - otherwise product damage may occur. The USB ports (where applicable) are designed with working voltage of 5V and can NOT be used to supply power for laptop computers (neither PC or Mac). Plugging a laptop computer to the USB port may end up damaging either the computer or the USB port due to unmatched working voltage.



## Elmir 3 Seater Lounge

⚠ The components are heavy, assembly should be performed by two people.

If you have any difficulty with assembly or operation, please contact the store of purchase in the first instance.

Please read the below safety & electrical instructions before operating

### Safety Instructions

- This product is not intended for use by persons (including children) with reduced physical, sensory or mental capabilities, or lack of experience and knowledge, unless they have been given supervision or instruction concerning use of the product by a person responsible for their safety.
- Ensure there is no person, animal or item obstructing the area under the footrest before operating this product.
- Improper use or installation may result in the risk of fire, electric shock and/or injury. We assume no liability for any eventual damages caused by improper use or inappropriate handling, or by any other non-compliance with the instructions in this manual.
- Children should be supervised to ensure that they do not play with the product.
- This product contains moving parts. Keep fingers, hair and body parts well clear from moving parts. To reduce the risk of injury, keep children and pets clear of the product when in use.
- Do not sit or place additional weight on the arms, back or open footrest.
- This product is very heavy. Only move this product by lifting the main body. Never drag by the footrest, back or arm rest.
- Return this product to the full upright position to stand safely and prevent a tripping hazard.
- Do not operate this product if damage is visible in any form.
- Do not modify or use unauthorised substitute parts.
- This product has been designed and intended for indoor residential use only. It is not suitable for commercial or outdoor use.
- This product is not intended to be used as part of a health care plan. Consult your medical professional before operating if you are taking medication or have physical limitations.

### Electrical Instructions

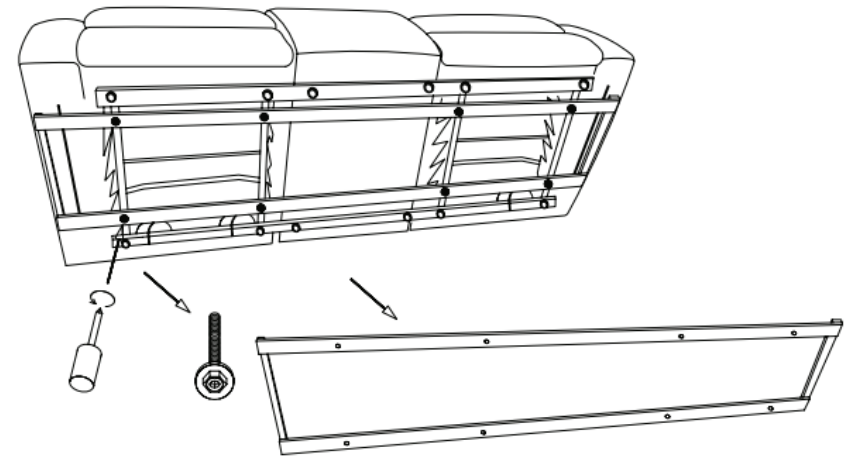
- Never force the back or footrest to close faster than the electric motor.
- Before commencing cleaning or maintenance, ensure this product is disconnected from the power outlet and the back is in the full upright position.
- Disconnect this product from the power outlet before moving.
- Cease operation and disconnect from the power outlet if you ever detect a burning odour or smoke coming from the product.
- Do not operate this product if liquid spillage occurs on or around it. Disconnect from the power outlet and allow product to completely dry before reconnecting.
- Do not operate the power functions or charge station with wet hands.
- Check the condition of the power cord, electrical cords, transformer, plug and connector on a monthly basis. Do not operate if wear is visible on any components.
- Ensure the power cord, electrical cords and transformer are clear of moving parts and not trapped underneath the base.
- Position the power cord to minimise a tripping hazard.
- Never attempt to open or disassemble electrical components.
- We recommend the use of a surge protector (not included).
- Connect power supplies directly to a wall outlet wherever possible. If a powerboard is required, check its maximum power load and don't exceed. Never "daisy-chain" more than one powerboard together.
- Make sure all plugs are connected before plugging the power supply into a power outlet.
- The USB ports (where applicable) are designed with working voltage of 5V, and can not be used to supply power for laptop computers (neither PC or Mac). Plugging a laptop computer into the USB port may end up damaging either the computer or the USB port due to unmatched working voltage.

Synargy is a registered responsible supplier on EESS. Electrical components within our products have been tested to comply with legal requirements imposed for electrical safety and EMC.

For product care, information and warranty details please visit [www.synargy.com](http://www.synargy.com)

### Step 1

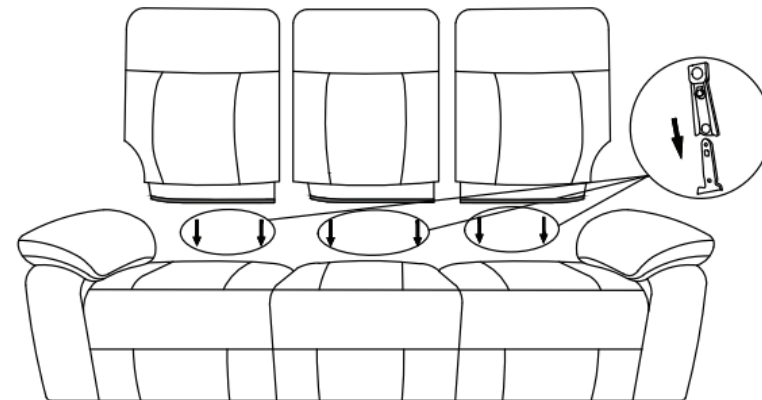
Remove packaging and set aside. On the underside of the sofa there are wooden support rails that need removing. Use the included tool to carefully remove these, using two people to ensure the seat base is handled safely.



### Step 2

Identify the seat backs that correspond with each seat base and attach them using the metal posts down the sides. Once aligned, press both sides of the seat backs downward until a click is heard.

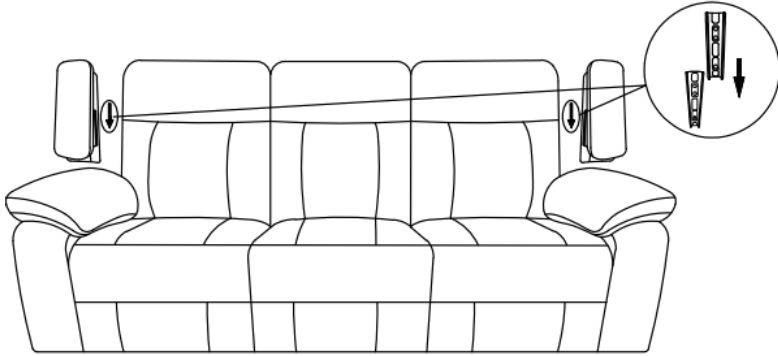
It is recommended to view our video on attaching seat backs before beginning.



Scan QR code for a video of this step

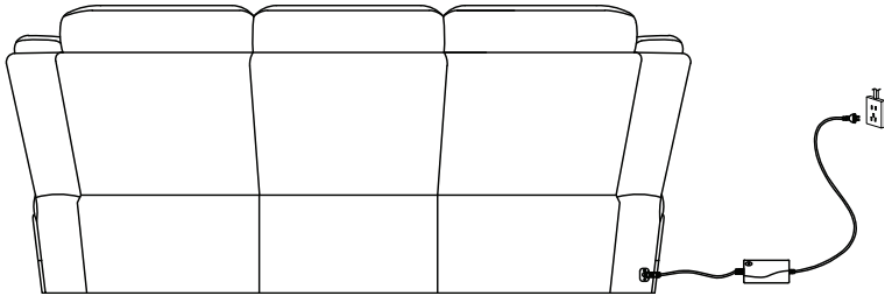
**Step 3**

Attach the backrest wings by fixing to the brackets and gently pressing down until they sit neatly in place.

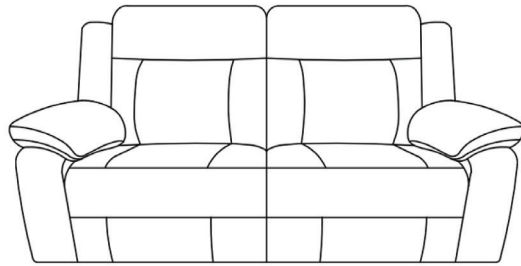
**Step 4**

Plug the power supply into the outlet located at the bottom of the seat base, and plug into a wall outlet. Your lounge assembly is now complete.

Please ensure you have read the safety and electrical instructions before operating.



- ⓘ Make sure all plugs are connected on the product before plugging the power cords into a wall outlet - otherwise product damage may occur. The USB ports (where applicable) are designed with working voltage of 5V and can NOT be used to supply power for laptop computers (neither PC or Mac). Plugging a laptop computer to the USB port may end up damaging either the computer or the USB port due to unmatched working voltage.



## Elmir 2 Seater Lounge

⚠ The components are heavy, assembly should be performed by two people.

If you have any difficulty with assembly or operation, please contact the store of purchase in the first instance.  
Please read the below safety & electrical instructions before operating

### Safety Instructions

- This product is not intended for use by persons (including children) with reduced physical, sensory or mental capabilities, or lack of experience and knowledge, unless they have been given supervision or instruction concerning use of the product by a person responsible for their safety.
- Ensure there is no person, animal or item obstructing the area under the footrest before operating this product.
- Improper use or installation may result in the risk of fire, electric shock and/or injury. We assume no liability for any eventual damages caused by improper use or inappropriate handling, or by any other non-compliance with the instructions in this manual.
- Children should be supervised to ensure that they do not play with the product.
- This product contains moving parts. Keep fingers, hair and body parts well clear from moving parts. To reduce the risk of injury, keep children and pets clear of the product when in use.

### Electrical Instructions

- Never force the back or footrest to close faster than the electric motor.
- Before commencing cleaning or maintenance, ensure this product is disconnected from the power outlet and the back is in the full upright position.
- Disconnect this product from the power outlet before moving.
- Cease operation and disconnect from the power outlet if you ever detect a burning odour or smoke coming from the product.
- Do not operate this product if liquid spillage occurs on or around it. Disconnect from the power outlet and allow product to completely dry before reconnecting.
- Do not operate the power functions or charge station with wet hands.
- Check the condition of the power cord, electrical cords, transformer, plug and connector on a monthly basis. Do not operate if wear is visible on any components.
- Ensure the power cord, electrical cords and transformer are clear of moving parts and not trapped underneath the base.

- Do not sit or place additional weight on the arms, back or open footrest.
- This product is very heavy. Only move this product by lifting the main body. Never drag by the footrest, back or arm rest.
- Return this product to the full upright position to stand safely and prevent a tripping hazard.
- Do not operate this product if damage is visible in any form.
- Do not modify or use unauthorised substitute parts.
- This product has been designed and intended for indoor residential use only. It is not suitable for commercial or outdoor use.
- This product is not intended to be used as part of a health care plan. Consult your medical professional before operating if you are taking medication or have physical limitations.

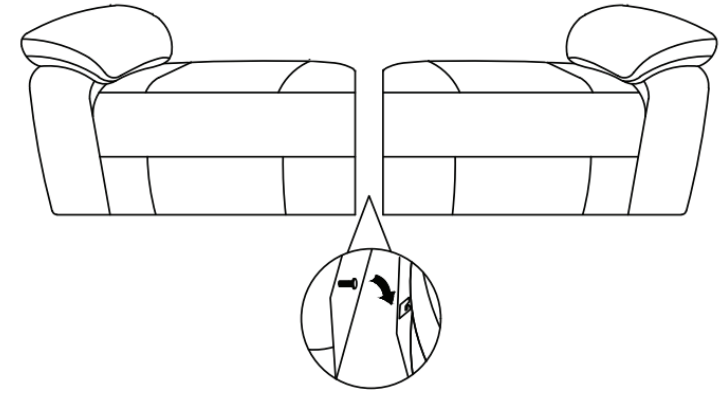
- Position the power cord to minimise a tripping hazard.
- Never attempt to open or disassemble electrical components.
- We recommend the use of a surge protector (not included).
- Connect power supplies directly to a wall outlet wherever possible. If a powerboard is required, check its maximum power load and don't exceed. Never "daisy-chain" more than one powerboard together.
- Make sure all plugs are connected before plugging the power supply into a power outlet.
- The USB ports (where applicable) are designed with working voltage of 5V, and can not be used to supply power for laptop computers (neither PC or Mac). Plugging a laptop computer into the USB port may end up damaging either the computer or the USB port due to unmatched working voltage.

Synargy is a registered responsible supplier on EESS. Electrical components within our products have been tested to comply with legal requirements imposed for electrical safety and EMC.

For product care, information and warranty details please visit [www.synargy.com](http://www.synargy.com)

### Step 1

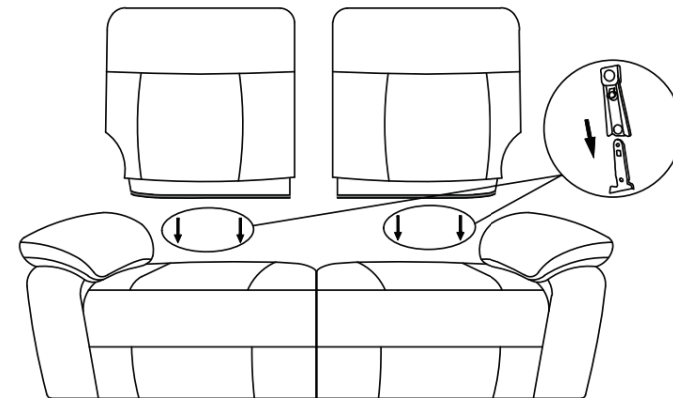
Remove packaging and set aside. Use two people to safely handle all large pieces. Fix the seat bases together using the locking tabs between them.



### Step 2

Identify the seat backs that correspond with each seat base and attach them using the metal posts down the sides. Once aligned, press both sides of the seat backs downward until a click is heard.

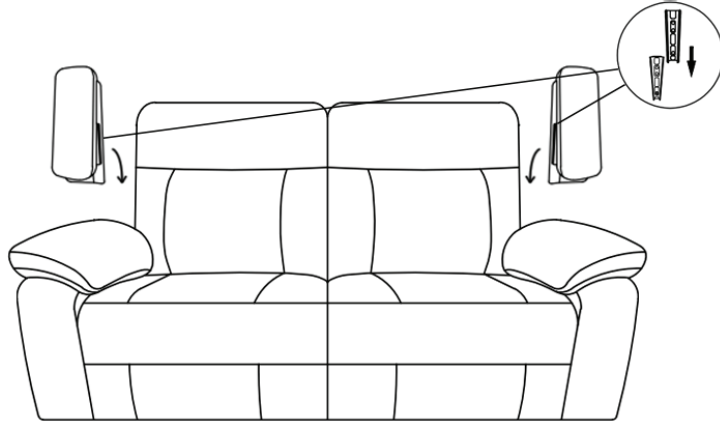
It is recommended to view our video on attaching seat backs before beginning.



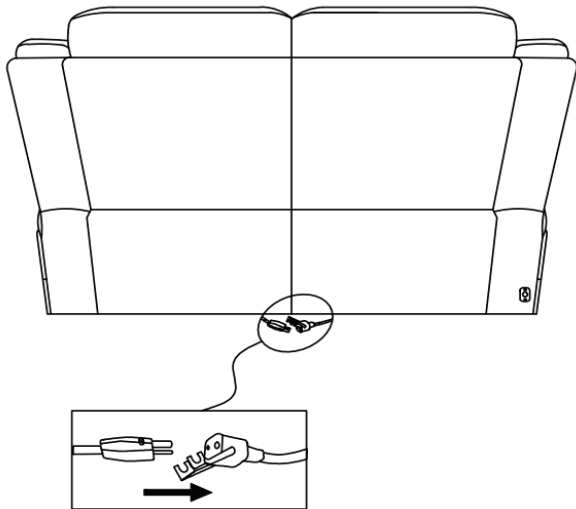
Scan QR code for a video of this step

**Step 3**

Attach the backrest wings by fixing to the brackets and gently pressing down until they sit neatly in place.

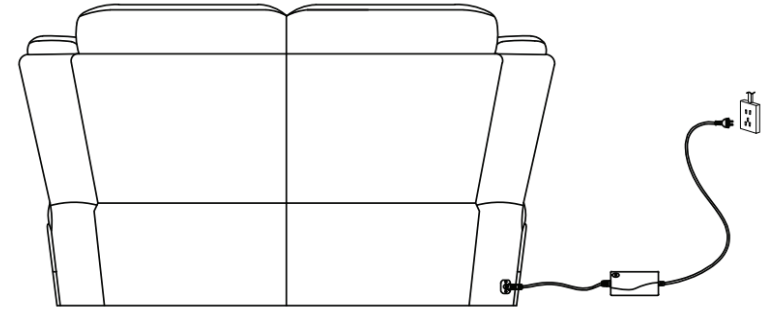
**Step 4**

Connect the electric cables between the end seat and middle seat, and fasten the fabric cover down to keep them neatly out of the way.

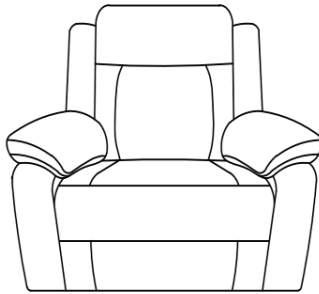
**Step 5**

Plug the power supply into the outlet located at the bottom of the seat base, and plug into a wall outlet. Your lounge assembly is now complete.

Please ensure you have read the safety and electrical instructions before operating.



- ⓘ Make sure all plugs are connected on the product before plugging the power cords into a wall outlet - otherwise product damage may occur. The USB ports (where applicable) are designed with working voltage of 5V and can NOT be used to supply power for laptop computers (neither PC or Mac). Plugging a laptop computer to the USB port may end up damaging either the computer or the USB port due to unmatched working voltage.



## Elmir Recliner Chair

⚠ The components are heavy, assembly should be performed by two people.

If you have any difficulty with assembly or operation, please contact the store of purchase in the first instance.

Please read the below safety & electrical instructions before operating

### Safety Instructions

- This product is not intended for use by persons (including children) with reduced physical, sensory or mental capabilities, or lack of experience and knowledge, unless they have been given supervision or instruction concerning use of the product by a person responsible for their safety.
- Ensure there is no person, animal or item obstructing the area under the footrest before operating this product.
- Improper use or installation may result in the risk of fire, electric shock and/or injury. We assume no liability for any eventual damages caused by improper use or inappropriate handling, or by any other non-compliance with the instructions in this manual.
- Children should be supervised to ensure that they do not play with the product.
- This product contains moving parts. Keep fingers, hair and body parts well clear from moving parts. To reduce the risk of injury, keep children and pets clear of the product when in use.

### Electrical Instructions

- Never force the back or footrest to close faster than the electric motor.
- Before commencing cleaning or maintenance, ensure this product is disconnected from the power outlet and the back is in the full upright position.
- Disconnect this product from the power outlet before moving.
- Cease operation and disconnect from the power outlet if you ever detect a burning odour or smoke coming from the product.
- Do not operate this product if liquid spillage occurs on or around it. Disconnect from the power outlet and allow product to completely dry before reconnecting.
- Do not operate the power functions or charge station with wet hands.
- Check the condition of the power cord, electrical cords, transformer, plug and connector on a monthly basis. Do not operate if wear is visible on any components.
- Ensure the power cord, electrical cords and transformer are clear of moving parts and not trapped underneath the base.

- Do not sit or place additional weight on the arms, back or open footrest.
- This product is very heavy. Only move this product by lifting the main body. Never drag by the footrest, back or arm rest.
- Return this product to the full upright position to stand safely and prevent a tripping hazard.
- Do not operate this product if damage is visible in any form.
- Do not modify or use unauthorised substitute parts.
- This product has been designed and intended for indoor residential use only. It is not suitable for commercial or outdoor use.
- This product is not intended to be used as part of a health care plan. Consult your medical professional before operating if you are taking medication or have physical limitations.

- Position the power cord to minimise a tripping hazard.
- Never attempt to open or disassemble electrical components.
- We recommend the use of a surge protector (not included).
- Connect power supplies directly to a wall outlet wherever possible. If a powerboard is required, check its maximum power load and don't exceed. Never "daisy-chain" more than one powerboard together.
- Make sure all plugs are connected before plugging the power supply into a power outlet.
- The USB ports (where applicable) are designed with working voltage of 5V, and can not be used to supply power for laptop computers (neither PC or Mac). Plugging a laptop computer into the USB port may end up damaging either the computer or the USB port due to unmatched working voltage.

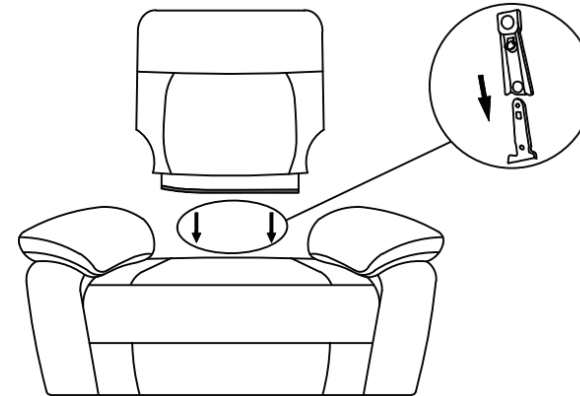
Synargy is a registered responsible supplier on EESS. Electrical components within our products have been tested to comply with legal requirements imposed for electrical safety and EMC.

For product care, information and warranty details please visit [www.synargy.com](http://www.synargy.com)

### Step 1

Remove packaging and set aside. Use two people to safely handle all large pieces. Attach the backrest using the metal posts down the sides. Once aligned, press both sides of the seat backs downward until a click is heard.

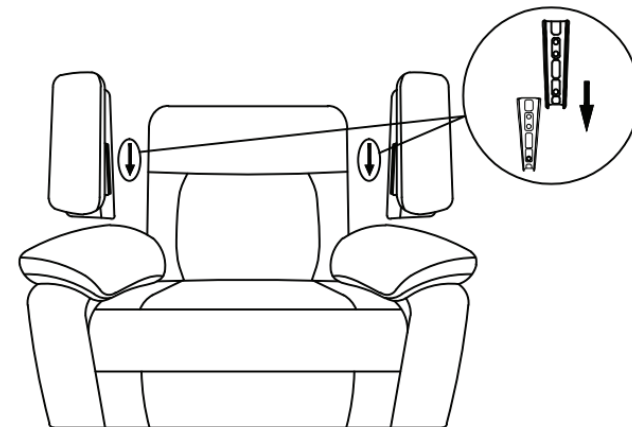
It is recommended to view our video on attaching seat backs before beginning.



Scan QR code for a video of this step

### Step 2

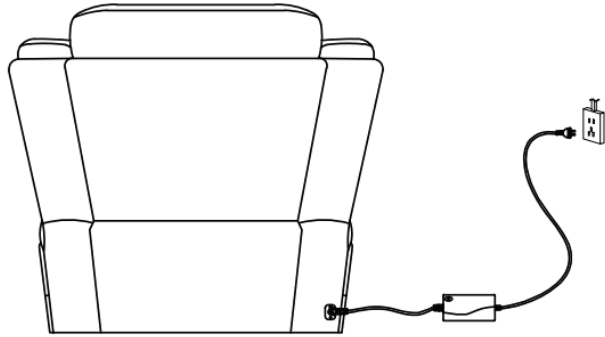
Attach the backrest wings by fixing to the brackets and gently pressing down until they sit neatly in place.



### Step 3

Plug the power supply into the outlet located at the bottom of the seat base, and plug into a wall outlet. Your lounge assembly is now complete.

Please ensure you have read the safety and electrical instructions before operating.



- ⚠ Make sure all plugs are connected on the product before plugging the power cords into a wall outlet - otherwise product damage may occur. The USB ports (where applicable) are designed with working voltage of 5V and can NOT be used to supply power for laptop computers (neither PC or Mac). Plugging a laptop computer to the USB port may end up damaging either the computer or the USB port due to unmatched working voltage.